



POWERED TOILET LIFT USER MANUAL

JC35LT1-1

# Catalogue

<b>1. Introduction</b> .....	1
<b>2. Required Operation</b> .....	1
<b>3. Unavailable Operation</b> .....	1
<b>4. Instructions for Use</b> .....	2
4.1 Preparation for Use .....	2
4.2 Bill of Materials .....	3
4.3 Installation .....	4
4.4 Check after Installation .....	5
4.5 Getting Started .....	5
4.6 Ambient Influences on Equipment .....	5
4.7 Symbol Description .....	6
<b>5. Precautions</b> .....	6
<b>6. Appendix</b> .....	7
6.1 Troubleshooting .....	7
6.2 Maintenance .....	7
6.3 Technical Specification .....	7
6.4 Warranty .....	8
6.5 Disclaimer .....	8
6.6 Conformity to standards .....	9
6.7 EMC Notes .....	9
<b>7. Basic Performance</b> .....	9
7.1 Electromagnetic Radiation .....	9
7.2 Anti-electromagnetic Interference .....	10
<b>8. Warranty card</b> .....	15

## 1. Introduction

JC35LT1-1 Powered Toilet Lift is a booster type product mainly serving the home bathroom, elderly and rehabilitation industries. The product adopts two actuators and metal skeleton, with good rigidity and stable operation, Which is specially designed and manufactured for the elderly, pregnant women, the injured and rehabilitated. Dedicated to help them get up and sit down on the toilet lift and reduce the risk of falling due to disablement. It can provide users with a comfortable and safe toilet experience.

In this manual, you will get all the information about the JC35LT1-1 hereinafter referred to as "toilet lift", including the use, storage and maintenance methods.



## 2. Required Operation

- Please read this instruction carefully when you use it for the first time. This will make you more familiar with the toilet lift and the operation will become easier.
- Please keep this instruction for those who may touch or use the toilet lift.
- First, the user is assessed to ensure that it is suitable for the user. Assessment items include the user's weight, size, cognitive ability, joint mobility, etc. Do not allow the toilet lift to be used by people for whom it is not suitable. When a person with a disability is using the device, he or she must be accompanied or have an alarm device nearby.
- When using, users should sit down slowly and calmly to avoid over-stimulation, causing injury to the toilet lift or the person.
- Please use the matching hand control for operation.
- Install the toilet lift according to the installation instructions.

## 3. Unavailable Operation

- Do not overload(Lighter than 135kg).
- Do not stand, or kneel on the toilet lift.
- Do not use when parts are defective.
- Do not use for other purposes.
- Do not allow children to use alone.
- Do not put your hands or other objects in the moving parts during maintenance and use.
- Do not place stuff (such as paper towels, washcloths, etc.) near the seat of the toilet lift.
- Do not place the remote control near a heat source.
- Do not modify the unit.

## 4. Instructions for Use

### 4.1 Preparation for Use

Please check the parts for damage and defects before use. Only use if you are sure that there are no damaged or missing parts.

- After receiving the toilet and opening the package, please read the user manual first.
- Please take out the frames, crossbeam, and seat out and get them installed referring to the installation instructions 4.3.

Please confirm the installation conditions of the toilet lift (Figure 1-1 below)

- The entrance width of the bathroom needs to be 630mm or more.
- The distance from the centerline of the toilet lift to the side wall is 370mm or more.
- The distance from the front end of the toilet lift to the inside of the bathroom door should be 500 mm or more.
- The distance between the toilet paper holder and the toilet lift should be 50 mm or more. If it is not possible to ensure a distance of 50mm or more, move the toilet paper holder, etc. outside the movable range of the toilet lift (seat plate or armrest). Then reinstall it.

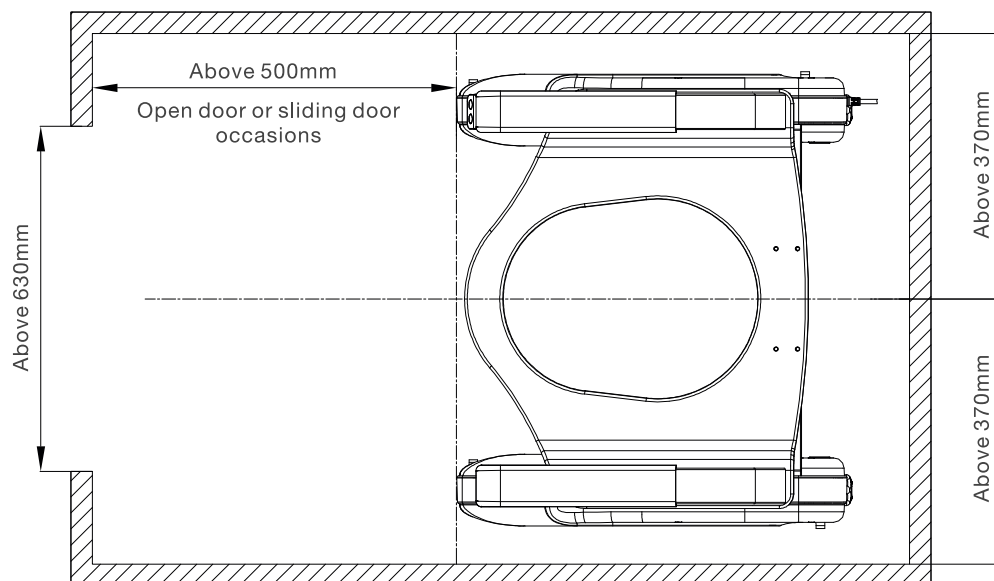
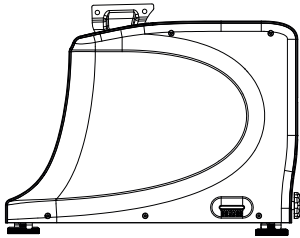
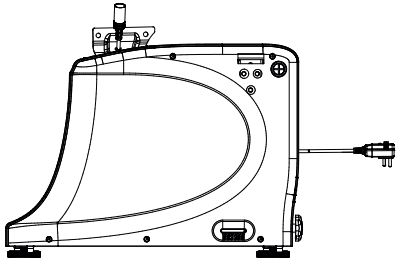
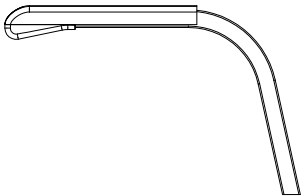
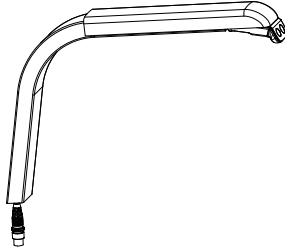
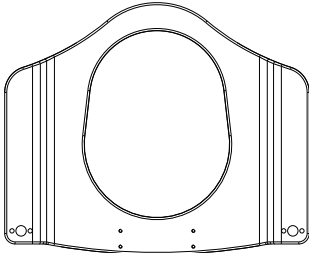
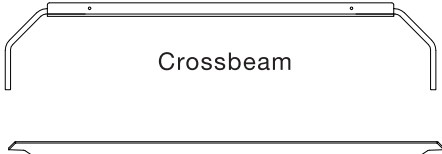
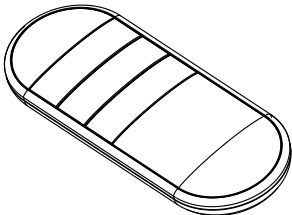


Figure 1-1

4.2 Bill of Materials

 <p>Left chair frame</p>	 <p>Right chair frame</p>
 <p>Left armrest</p>	 <p>Right armrest</p>
 <p>Seat plate</p>	 <p>Crossbeam</p> <p>Crossbeam cover plate</p>
 <p>Remote control(optional)</p>	<p>(1) Hexagon socket spanner, type L M5, 1pcs.  (2) Expansion nut set (including M6*42 round head hexagon socket screws), 1pcs.  (3) Crossbeam screw hole plug, 6 pcs.  (4) M8*25 countersunk head hexagon socket screws, 6pcs.  (5) M8*16 round head socket head screws, 8pcs.  (6) M6*16 pan head cross recessed screws, 2pcs.  (7) Adhesive backed wire fastener, 4pcs.</p> <p>Screw package</p>

### 4.3 Installation

Step 1: Firstly, use M8\*25 countersunk head hexagon socket screws (6pcs) to connect the crossbeam with the left and right chair frame and lock it tight. And use the crossbeam screw hole plug (6 pieces) to plug the mounting holes. As shown in Figure 2-1 below.

Step 2: Connect the male plug of the left chair frame to the female plug of the right chair frame and place the connector into the left chair frame housing (through the housing outlet hole). Then stow the excess wire harness into the crossbeam inside groove (can use adhesive backed wire fasteners to organize). Finally, install the beam cover on the beam (tool: L-shaped hex wrench).

Step 3: Fix the left armrest and right armrest on the seat plate with M8\*16 round head hexagon socket screws (4pcs). (Tool: L-type hexagonal wrench), Please refer to figure 2-2.

Step 4: Install the seat plate on the left and right seat frame with M8\*16 round head hexagon socket head screws (4 pieces) (Tool: L-type hexagon wrench).

Step 5: Connect the male plug of the hand control on the right armrest to the female plug of the right chair frame. Then snap the connector into the seat plate snap (put the excess wire harness in the armrest, and use the adhesive backed wire fastener to fix the wire harness).

Step 6: Unify the 2 frame heights through adjusting the height knob behind the frames. Please make sure that the user's feet can touch the ground during the entire ascent at this height.

Step 7: Make the toilet lift crossbeam located above the toilet about 2mm position by adjusting the foot, so that the toilet lift seat plate can be kept level and then tighten the foot lock nut.

Step 8: Put the expansion nut (1 piece) through the installation hole on the toilet, and lock the expansion nut with hexagon socket spanner, type L. Then install the toilet lift on the toilet, at this time the toilet lift crossbeam installation hole has been set on the toilet screw (tool: L-type hexagonal wrench).

(1) Fixing the toilet lift and toilet could have better stability, but after power failure during daily cleaning and movement, it is necessary to rise the toilet lift by 5mm before moving.

(2) If not fixing the toilet lift and the toilet, then there is no need to use expansion nuts. After the assembly, it can be placed directly on the toilet for use. For daily cleaning, the product can be moved directly after the power is turned off.

Step 9: Installing the toilet cover with the toilet lift seat with 2 M6\*16 screws. After the assembly, please make sure that the exposed part of the screw does not exceed the toilet lift seat (the toilet cover and Phillips screwdriver are prepared by the user).

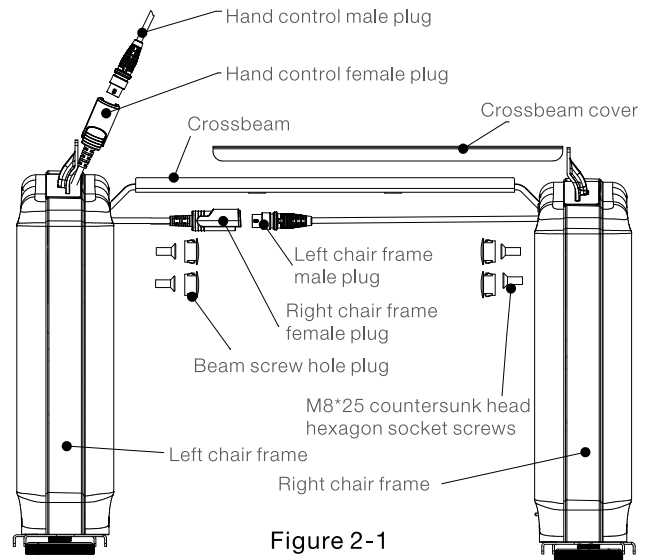


Figure 2-1

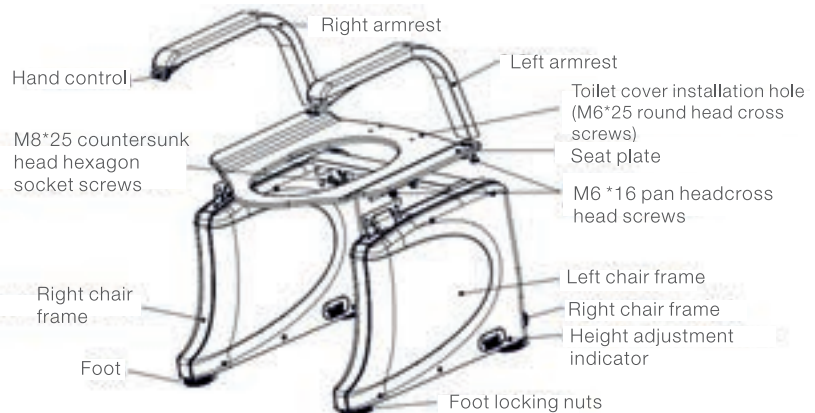


Figure 2-2

#### 4.4 Check after Installation

- Make sure the screws are tight.
- Make sure if the numbers indicated by the height adjustment indicator buttons on the left and right chair frames are the same.
- Make sure if the toilet lift is level with the floor. Make sure the locking nut of the floor foot is tightened. The four black adjusting casters at the bottom of the chair frame can be used for leveling.
- Before each use, please first confirm that whether the toilet lift lift normally.
- Hand control for the point control mode, that is, the button is pressed effective, released invalid.
- Hand control up button makes seat plate up, down button makes seat plate down. When the toilet lift is running, once the user is aware of the danger can release the button, the toilet lift will stop running.
- After the completion of the first installation, you need the hand control to reset the toilet lift to adjust the synchronization. Operation method: first the seat plate down to the lowest position, again long press the down button for 10s to enter the reset mode(the power indicator will flash), then release the down button and press it again to finish reset (the seat plate will rise a distance after falling).

#### 4.5 Getting Started

- First, raise the toilet lift to a position where you feel comfortable sitting.
- Sit slowly in the middle of the toilet lift.
- Press the down button to lower to a comfortable position for toileting. If you keep holding down the down button, the toilet lift will stop at the lowest point.
- After toileting, press the up button to raise the toilet lift to a position that is convenient for standing up.
- If conditions allow, please let the user operate the hand control instead of the assistant. This will make the user feel more comfortable and reduce the danger.

#### Handset

Press and hold the rising key, the seat plate synchronous rise; release this key, stop the action. Press and hold the descending key, the seat plate synchronous fall; release this key, stop the action.



#### Remote control






Code Match: After the product is powered on (power indicator light is on), it enters the code match mode by default (duration: 20S). Press the rising key and falling key after entering the code match mode, observe the remote control indicator light flashing out 3 times which indicate the match is successful. The operation function of the remote control is the same as that of the handset.



#### 4.6 Environmental Influences on Equipment

- Please do not put the toilet lift in direct sunlight for a long time to avoid material aging.
- Please do not put the toilet lift near the fire source (high temperature), so as not to deform the material.
- Do not place stuff (such as clothing, shoes, etc.) near the seat of the toilet lift.
- Do not place the remote control near a heat source.

#### 4.7 Symbol Description

Symbols	Explanation	Symbols	Explanation
	Warning		Indoor use
	BF type application section	IPX4	Waterproof grade 4
	Can not be put in the trash, but only after professional recycling		Class II equipment

## 5. Cautions

- Don't use overload (135KG), and check whether the parts are defective before use.
- Avoid use by children alone.
- In the process of transporting the toilet lift, please make sure that the wires are not connected and transport carefully to prevent damage to the toilet lift caused by dropping, collision, etc.
- In the process of cleaning the hand control or the chair frame, please ensure that the toilet lift is in a power-off state and that the chair frame can only be cleaned with a moist cleaning cloth.
- Do not use the shower to spray against the moving parts to prevent the loss of lubricant from the moving parts and shorten the service life.
- If you find some signs of damage on the surface of the hand control and charger, please contact a professional distributor for assistance.
- Please sit in the middle of the toilet lift seat, both hands on the armrest, one of the hands to operate the hand control up or down.
- When using other electrical appliances in the bathroom, or using cell phones, please do not lift the toilet lift at the same time to prevent electromagnetic interference. If the toilet lift cannot be lifted normally because of the problem of electromagnetic interference, please contact a professional distributor for assistance.
- toilet lifts must be inspected or repaired by a professional every 12 months.
- For the installation screws of the toilet cover, please use the standard assigned screws in the screw package. If user use own screw, to ensure that the length of the screws in the range of  $15 \pm 2\text{mm}$ , so as to avoid using the wrong screws which will cause damage to the product.



## 6. Appendix

### 6.1 Troubleshooting

- Running toilet lift, seat plate no movement: please check whether the power access is correct, if the power access is right still no response, please contact a professional distributor for assistance.
- Chairs are unstable in the bathroom, please to check if the toilet lift foot is in full touch with the floor.
- Toilet lift left and right sides running are not synchronized or the seat plate can only fall can not rise: please long press the hand control to put the seat plate down to the lowest position. Again long press the down key 10s into the reset mode can rule out abnormal, if still can not rule out abnormal, please contact your dealer.
- When the whole chair can not lift at no load, if here is an alarm sound indicates that the operator charge is insufficient, need to charge in time. If there is no response, please contact your dealer.
- If no one is sitting on the toilet lift, it can run normally while people sitting on the toilet lift, it can not lift: please confirm whether the user exceeds the instructions load requirements, and try to reset to rule out the abnormalities. If still can not rule out the abnormalities, please contact your dealer.

### 6.2 Maintenance

- Before cleaning, ensure that the power is unplugged and the product is power-off.
- Do not put your hands, feet or other objects into the moving parts during use or maintenance. You can clean them with a wet towel, brush, etc., and then dry them.
- Hand controls and adapters should not be cleaned with detergents or disinfectants; if necessary, they can be scrubbed with a cloth dipped in a small amount of water.
- Do not use the shower rose to spray the moving parts to prevent the loss of lubricant from the moving parts and shorten the service life.
- Do not use highly concentrated disinfectant to clean the toilet lift.
- Thorough cleaning and disinfection when change the user.
- Ensure that the toilet lift is adequately dried before storage.
- If possible, have professionals clean and maintain toilet lift.

### 6.3 Technical Specifications

Charging voltage	100-240V 50/60Hz max0.8A
Rated load	1350N
Dimensions	564mm×630mm ×707mm; Seat height: 415mm
Net weight	26.5Kg
Seat plate effective lifting height	130~175mm (Adjustable)
Seat plate inclination angle	0~13°
Lifting speed	9±1mm/s
Duty cycle	20/180s @ 25℃
Operating Temperature	5-40℃
Operating Humidity	20% to 90% at 30℃, non-condensing
Operating air pressure	700-1060 hPa
Operating altitude (altitude)	≤2000m
Storage temperature	-10-50℃
Storage humidity	20%-90%
Save air pressure	700-1060 hPa
IP grade	IPX4
Protection	Switching power supply thermal protection, switching power supply overcurrent protection, switching power supply short-circuit protection

#### 6.4 Warranty

The product warranty period is 36 months after the sale (only for home or personal use). The expected service life of this product is 5 years, the expected service life of paid maintenance (users send repair, please properly save the purchase invoice), for the following cases the company will not be free maintenance:

- Exceeding the warranty period.
- Damage caused by not using the product according to its technical parameters and installation requirements.
- Private removal and modification by the user.
- Damage to the warranty label.
- Toilet lift foot are consumable items and are not covered by the warranty.
- For damages caused by non-human factors, JIECANG will decide as appropriate.

#### 6.5 Disclaimer

The following situations are no longer within the scope of warranty refund, and the accidents caused by it shall be borne by oneself.

- Climbing in and out of the toilet lift at will, and the toilet lift overturns, causing damage to the toilet lift and causing injury to the user.
- Using the toilet lift as a standing, lifting, or other non-normal use method.
- Feel free to let animals and children get close to a running toilet lift and cause damage.
- Private repair and modification of toilet lift.
- It is found that the parts of the toilet lift are damaged or the equipment is malfunctioning while still using it, causing secondary damage to the equipment and causing injury to the user.
- Use accessories other than those in the package, such as using adapters, other hand controls, etc.. Any problems caused by using non-standard accessories without permission will not enjoy the warranty. If any accidents are caused, the user shall be responsible;
- The toilet lift is stored near a fire or heat source, resulting in the loss of some functions.
- Excessive use of bath oil or bath salt and other bath products accelerates the aging of the chair frame structure.
- Clean toilet lifts with acidic detergents, cleaners, sanitizers, etc.
- Hand control is placed near fire or heat sources, causing equipment damage. If the hand controller is disassembled and repaired without permission, the warranty is no longer available.
- Warranty is void for resale.
- The warranty is only for design problems and assembly problems. Damage caused by man-made reasons and natural loss do not enjoy the warranty;
- The warranty will be void if the toilet lift has been repaired by someone other than the designated person, and the warranty will also be void if the damage to the toilet lift is related to its use by a disabled or mentally ill person.
- Manufacturers and distributors shall not be liable for any damages or personal safety accidents caused by users or operators not operating in accordance with the requirements of this instruction manual.
- If your chosen product does not contain a power leakage protector, the electrical power supply environment must have a leakage protector. There may be a risk of leakage when using in a humid environment. The manufacturer and distributor will not be held responsible for personal safety accidents caused by electric leakage.

## 6.6 Approval

The toilet lift system meets the requirements of international standards IEC60335-1, IEC60335-2-116, IEC60601-1, IEC60601-1-2.

## 6.7 EMC Notes

Electromagnetic Compatibility (EMC) is defined as the ability of a product, device or system to function properly in its electromagnetic environment without causing unacceptable electromagnetic disturbances to anything in that environment.

Electromagnetic immunity is the ability of a product, device or system to function properly in the presence of electromagnetic interference (EMI).

This toilet lift is designed and manufactured in accordance with existing electromagnetic compatibility standards and related requirements. Use of this toilet lift in the presence of electromagnetic fields may result in reduced performance of the chair back drop. If this phenomenon occurs frequently, it is recommended to check the environment in which it is used to determine the possible source of disturbance. These interferences may come from other electrical equipment used in the same room or in adjacent rooms, or from portable and mobile RF communication equipment such as cell phones, walkie-talkies, or nearby radio equipment, television or microwave transmission equipment. If electromagnetic interference (EMI) interferes with the toilet lift system, it may be necessary to move other interference sources to other places or take corresponding electromagnetic interference suppression measures.

### Warn

Use of cables and accessories not specified for use with this toilet lift with this system may result in increased system emissions or reduced immunity.

The toilet lift should not be used close to or stacked with other equipment, and if it must be used close to or stacked, it should be observed to verify that it can function properly in the configuration it is used.

### Attention

Medical equipment has special precautions for EMC and needs to be installed and used in accordance with the EMC information provided in the documentation accompanying this toilet lift.

This section contains information on electromagnetic emissions and immunity that applies to this toilet lift. Please make sure that the system's operating environment meets the conditions specified in the reference information. Operating this toilet in an environment that does not meet these conditions may degrade system performance.

When installing and using a toilet lift, to ensure its electromagnetic compatibility, the information and warnings contained in this and other sections should be followed.

## 7. Basic performance - seat lift

### 7.1 Electromagnetic radiation

This toilet lift is designed for use in the electromagnetic environment specified in the table below. The user of the toilet lift should ensure that it is used in such an environment

Guidance and Manufacturer's Declaration - Electromagnetic Radiation		
This toilet lift is designed for use in the electromagnetic environment specified below. The user of the toilet lift should ensure that it is used in such an environment		
Radiation Test	Conformity	Electromagnetic Environment - ---Guidelines

Radio frequency radiation CISPR 11	Group 1	The toilet lift uses RF energy for its internal function only. Therefore, its radio frequency radiations are low and the potential for interference with nearby electronic equipment is low
Radio frequency radiation CISPR 11	Class B	The toilet lifts are suitable for use in all establishments not directly connected to the public low-voltage power supply network for domestic use and public use
Harmonic radiation IEC61000-3-2	Conform	
Voltage fluctuation/flicker Radiation IEC61000-3-2	Conform	

**⚠ Warn**

Using of cables and accessories not specified for toilet lift use with this device may result in increased emissions or reduced immunity to interference from the device.

No.	Model	Cable length ( m )	Whether to shield
1	Input power cord	1.5	No
2	Hand control cable	0.8	No

**7.2 Anti-electromagnetic interference**

This toilet lift is designed for use in the electromagnetic environment specified in the table below. The user of the toilet lift should ensure that it is used in such an environment.

Guidance and Manufacturer's Declaration----Electromagnetic Immunity			
This toilet lift is designed for use in the electromagnetic environment specified below. The user of the toilet lift should ensure that it is used in such an environment			
Shielding Test	IEC60601 Testing Level	Level conformity	Electromagnetic Environment ----Guidelines
Electrostatic discharge IEC61000-4-2	±8KV contact discharge ±15KV air discharge	±8KV contact discharge ±15KV air discharge	Floors should be wood, concrete or tile, and if floors are covered with synthetic material, the relative humidity should be at least 30%
Electrical Fast Transient Bursts IEC61000-4-4	±2KV to power cord ±1KV to power cord	±2KV to power cord ±1KV to power cord	Mains power should be of the quality used in a typical commercial or hospital environment
Surge IEC61000-4-4	±1KV cable to cable	±1KV cable to cable	Mains power should be of the quality used in a typical commercial or hospital environment

Voltage dips, short interruptions and voltage changes on power input cord IEC61000-4-11	< 5% UT, lasts 0.5 weeks(On UT, >95% dips) 40%UT, lasts 5 weeks,(On UT ,60% dips) 70%UT, lasts 25 weeks (On UT, 30% dips) < 5%UT, lasts 5S(On UT, >95% dips)	< 5% UT, lasts 0.5 weeks(On UT, >95% dips) 40%UT, lasts 5 weeks,(On UT ,60% dips) 70%UT, lasts 25 weeks (On UT, 30% dips) < 5%UT, lasts 5S(On UT, >95% dips)	Mains power should be of the quality used in a typical commercial or hospital environment. If the user of the powered toilet lift requires continuous operation during power interruptions, it is recommended that the electric toilet lift be powered by an uninterruptible power supply or batteries
Power frequency magnetic field (50/60Hz) IEC61000-4-8	3A/m	3A/m	If the motor starts abnormally or is interrupted, it may be necessary for the powered toilet lift to work with a power frequency magnetic field source or to install a magnetic shield. The power frequency magnetic field in the intended installation location should be measured to ensure that it is sufficiently low
PS: UT refers to the AC grid voltage before the test voltage is applied			

Guidance and Manufacturer's Declaration — — Electromagnetic Immunity			
This toilet lift is designed for use in the electromagnetic environment specified below. The user of the toilet lift should ensure that it is used in such an environment			
Shielding Test	IEC60601 Testing Level	Level conformity	Electromagnetic Environment ----Guidelines
RF conduction IEC61000-4-6 Radio frequency radiation IEC61000-4-3	3V (effective value) 150KHz-80MHz 3V/m 80MHz-2.5GHz	3V (effective value) 3V/m	Portable and mobile RF communications equipment should not be used closer to any part of the powered toilet lift, including cables, than the recommended separation distance, which should be calculated using the formula corresponding to the frequency of the transmitter. Recommended separation distance $d=1.2\sqrt{P}$ 80MHz-800MHz $d=1.2\sqrt{P}$ 800MHz-2.GHz In the formula: P----The maximum output power rating of the transmitter provided by the transmitter manufacturer, in watts (W); d----Recommended separation distance in meters (m) Field strengths from fixed radio frequency transmitters, as determined by a survey of the electromagnetic field, shall be less than the compliance level in each frequency range
Note 1: At 80 MHz and 800 MHz frequencies, the formula for the higher band should be used Note 2: These guidelines may not be appropriate in all cases. Electromagnetic propagation is influenced by absorption and reflection from buildings, objects and the human body			

·Fixed transmitters, such as: base stations for wireless (cellular/cordless) telephones and terrestrial mobile radios, amateur radio, AM and FM radio broadcasts, and television broadcasts, have field strengths that cannot be accurately predicted in theory. In order to assess the electromagnetic environment of fixed RF transmitters, the electromagnetic field house survey should be considered. If the measured field strength of the powered toilet lift at the site is higher than the appeal RF compliance level, the electric toilet lift should be observed to verify that it can operate properly. If abnormal performance is observed, additional measures may be necessary, such as reorienting or repositioning the powered toilet lift .

·In the entire frequency range of 15KHz-8MHz, the field strength should be less than 3V/m

 **Recommended separation distance**

Isolation distance between portable and mobile RF communication equipment and electric toilet lifts			
The toilet lift is expected to be used in an electromagnetic environment with controlled RF radiation harassment, and based on the maximum output power of the communication equipment, the purchaser or user of the toilet lift can prevent electromagnetic interference by maintaining a minimum distance between the portable and mobile RF communication equipment (transmitter) and the toilet lift			
Transmitter maximum rated Output power W	Isolation distance/m for different frequencies of corresponding transmitters		
	150KHz-80MHz $d=1.2\sqrt{P}$	80KHz-800MHz $d=1.2\sqrt{P}$	800MHz-2.5GHz $d=2.3\sqrt{P}$
0.01	0.12	0.12	0.23
0.1	0.38	0.38	0.73
1	1.2	1.2	2.3
10	3.8	3.8	7.3
100	12	12	23

## Disclaimer and Exclusion of Liability

The user must determine the suitability of JIECANG products under specific conditions. JIECANG is committed to providing the latest product information. However, as JIECANG's product are constantly improving, it is possible to make changes to JIECANG's product without prior notice. Therefore, JIECANG cannot guarantee the correctness and authenticity of the product information. Although JIECANG will do its best to meet the order requirements, due to the above reasons, JIECANG cannot guarantee the delivery capacity of any specific product.

Therefore, JIECANG reserves the right to stop selling any products listed on the website or product catalog or other JIECANG written materials. All sales activities must be carried out in accordance with the requirements of JIECANG sales and Delivery Standard Clauses. For copies of relevant documents, please contact JIECANG.

# Warranty card

User Profile Year Month Day

Date:

Name		Gender		Age	
Address					
Telephone				Post code	
Purchase place					

## Warranty Terms:

The product warranty period is 36 months after the sale (only for home or personal use).

The expected service life of this product is 5 years, the expected service life of paid maintenance (users send repair, please properly save the purchase invoice), for the following cases the company will not be free maintenance:

- Beyond the warranty period;
- Damage caused by not using the product according to its technical parameters and installation requirements;
- Private dismantling and modification by users;
- Warranty labels that are damaged;
- Toilet lift foot are wear and tear items, not included in the warranty;

For damage not caused by human beings, the Company need further concern.

- This product does not have the parts that user can repair by themselves, the user must contact an authorized dealer for maintenance.



**BIBUS ENDÜSTRİYEL A.Ş.**

İkitelli OSB Bedrettin Dalan Bulvarı Vip Plaza  
Kat:2 No:43 Başakşehir/İstanbul

Tel. 444 20 38

Fax 0212 249 88 34

info@bibus.com.tr

www.bibus.com.tr

