

TV lifting BBS35VT



Data sheet

BBS35VT

Features

- In applications ranging from 25" to 60" TV
- Can set different height and select running
- Control mode: Handset and remote control



Control box



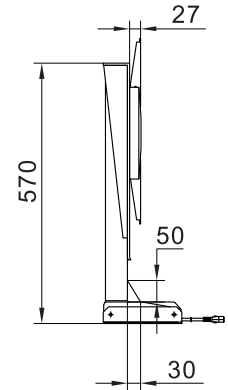
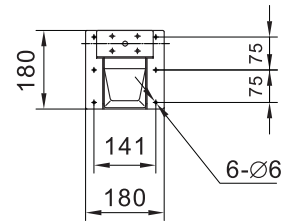
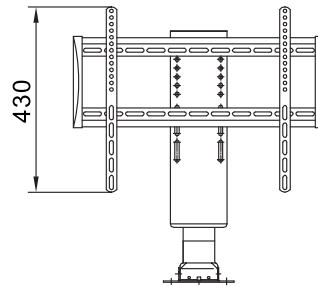
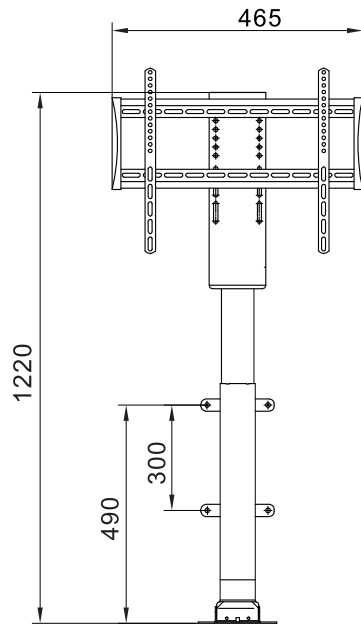
Remote control



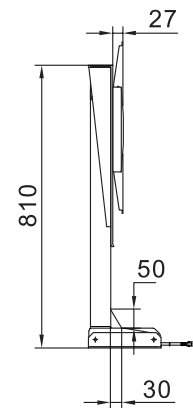
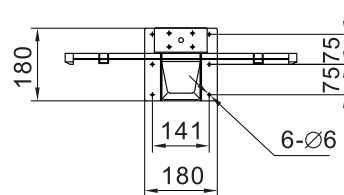
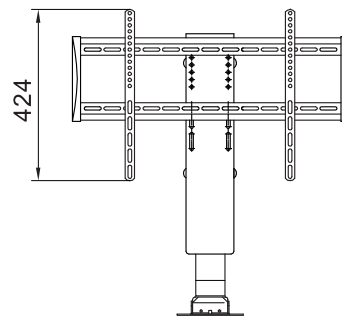
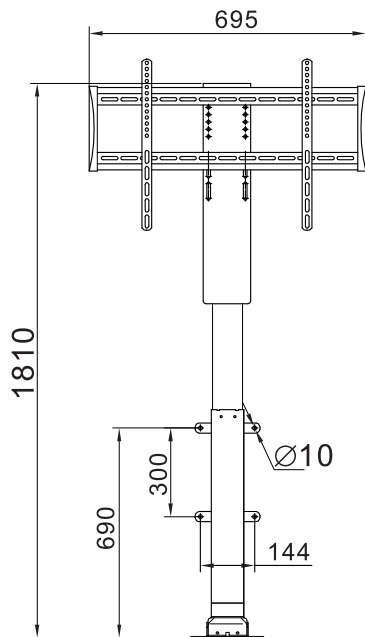
Technical specifications

Type	BBS35VT-650	BBS35VT-1000
Max load capacity(N)		600
Static load(N)		700
Input voltage(VAC)		110-240
Load speed(mm/s)		25
Min height(mm)	570	810
Max height(mm)	1220	1810
Color	Black	
Duty cycle	2 minutes continues use followed by 18 minutes not in use	
IP grade	IP20	
Ambient temperature	+5°C~+40°C	
Certification	CE/UL	
Packaging	670*310*250	900*310*235
Weight	16.5Kg	21Kg

Dimension



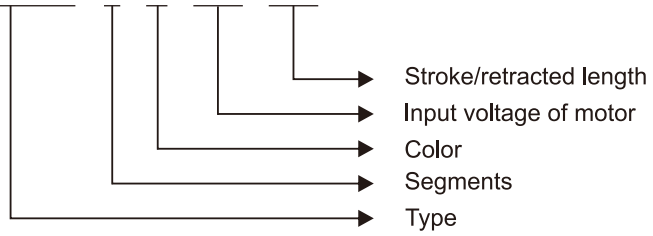
BBS35VT-650



BBS35VT-1000

Ordering Key

BBS35VT - 3 - B - 230 (650)



Application case

