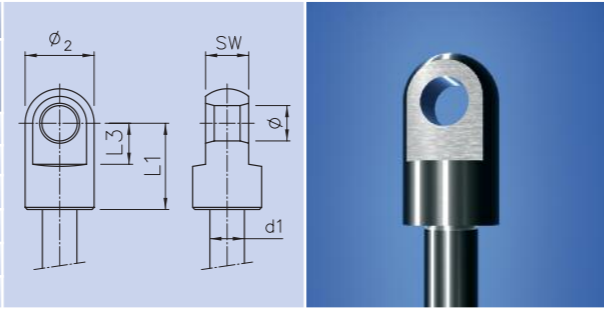


e a s y l i f t s y s t e m



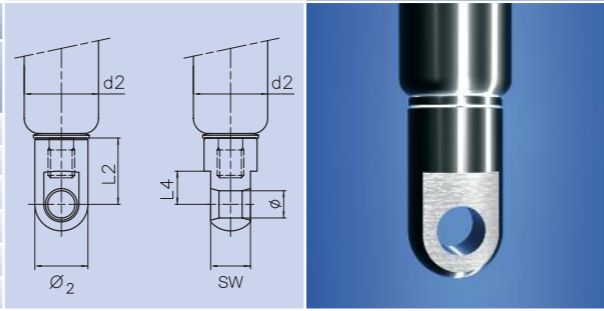
Gelenkaugen Kolbenstange | Piston rod hinge eyes

Material 1.4404 / AISI 316L								geeignet für: suitable for:		
Code	SW	Ø	L ₁	L ₃	Ø ₂	d ₁	Gewinde thread	Gasdruckfedern Gas springs	Block. Gasfedern Lockable gas springs	Gaszugfedern Gas traction springs
D1	3	6,2	16	9	11	6,0	M5	●		
A1	10	8,2	20	20	16	8,0 - 10,0	M8	●		●
M2	10	10,2	20	20	16	8,0 - 10,0	M8	●		●
B1	12	8,2	25	12	19	10,0 - 14,0	M10	●		●
K2	12	8,2	20	20	19	10,0 - 14,0	M10	●		●
C1	14	14,2	40	20	20	14,0 - 20,0	M14*1,5	●		●



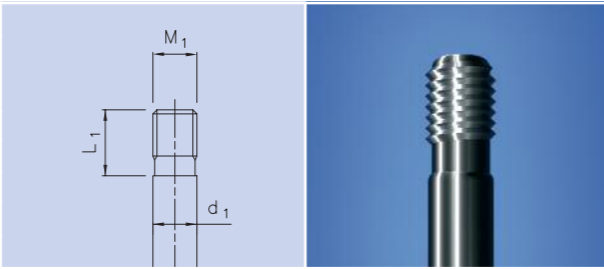
Gelenkaugen Zylinder | Hinge eyes cylinder

Material 1.4404 / AISI 316L								geeignet für: suitable for:		
Code	SW	Ø	L ₂	L ₄	Ø ₂	d ₂	Gewinde thread	Gasdruckfedern Gas springs	Block. Gasfedern Lockable gas springs	Gaszugfedern Gas traction springs
D1	3	6,2	16	9	11	15,0	M5	●		
A1	10	8,2	20	20	16	19,0 - 22,0	M8	●	●	●
M2	10	10,2	20	20	16	19,0 - 22,0	M8	●	●	●
B1	12	8,2	25	12	19	28,0 - 40,0	M10	●	●	●
K2	12	8,2	20	20	19	28,0	M10	●	●	●
C1	14	14,2	40	20	20	40,0	M14*1,5	●	●	●



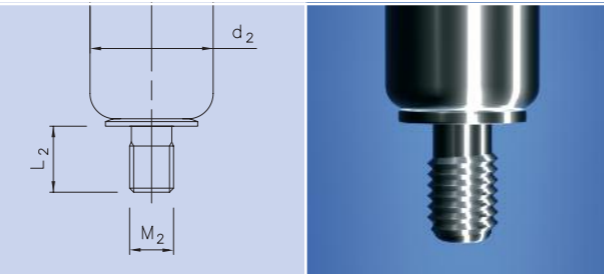
Gewinde Kolbenstange | Threads piston rod side

Material 1.4404 / AISI 316L				geeignet für: suitable for:		
Code	M ₁	L ₁	d ₁	Gasdruckfedern Gas springs	Blockierbare Gasfedern Lockable gas springs	Gaszugfedern Gas traction springs
V0	M5	5	6,0	●		●
B0	M8	9	8	●		●
H0	M8	9	10,0	●		●
D0	M10	9	10,0-14,0	●		●
Z0	MF14*1,5	15	20,0	●		●



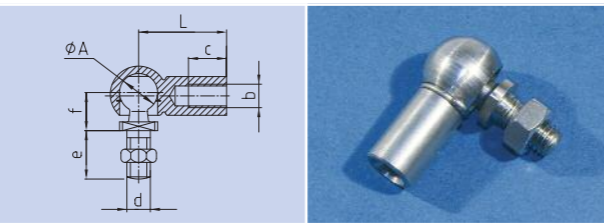
Gewinde Zylinder | Threads cylinder side

Material 1.4404 / AISI 316L				geeignet für: suitable for:		
Code	M ₂	L ₂	d ₂	Gasdruckfedern Gas springs	Blockierbare Gasfedern Lockable gas springs	Gaszugfedern Gas traction springs
V0	M5	5	15,0	●		●
Z0	MF14*1,5	15	40,0	●	●	●
M0	M10	13	28,0-40,0	●	●	●
N0	M8	8	19,0-28,0	●	●	●



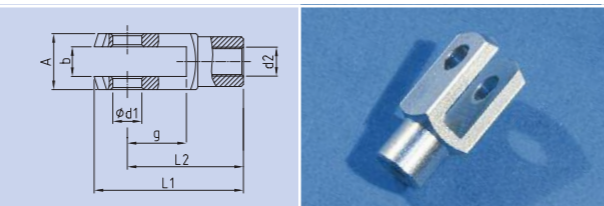
Winkelgelenke | Elbow joints

Material 1.4305 / AISI 303						
Code	AØ	Lmm	b*cmm	d*emm	fmm	Mutter/nut
D3	10	19	M8x9,5	M8x13	12	nein/no
A3	13	30	M8x14,5	M8x16,5	13	ja/yes
A4	16	35	M10x15,5	M10x20	16	ja/yes
B4	19	45	M14*1,5 x 20	M14*1,5 x 28	20	ja/yes



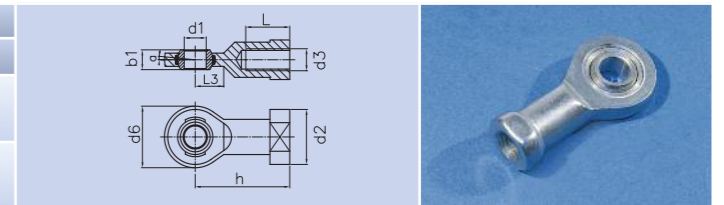
Gabelköpfe | Clevises

Material 1.4305 / AISI 303							
Code	Ød ₁ mm	gmm	Amm	bmm	L ₁ mm	L ₂ mm	Ød ₂ mm
A5	8	16	16	8	42	32	M8
B9	10	20	20	10	52	40	M10



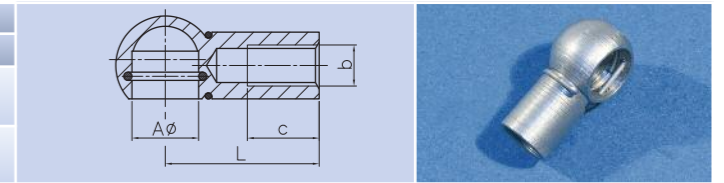
Gelenkköpfe | Hinge heads

Material 1.4057										
Code		a	b1	d1	d2	d3	d6	h	L	L3
A7	GEKA7M8NI	8°	8	8	16	M8	24	36	16	12
A8	GEKA8M10NI	6°	9	10	19	M10	28	43	20	13



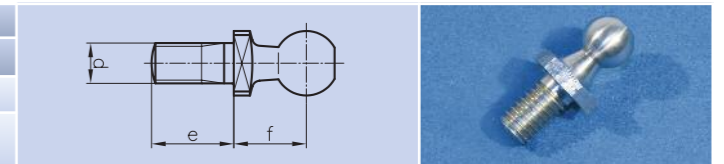
Kugelpfannen | Ball sockets

Material 1.4305 / AISI 303			
Code	A	L	b*c
F3	10	19	M8*10
P3	13	30	M8*14



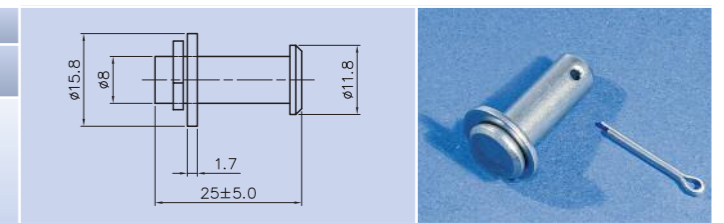
Kugelbolzen | Bolts

Material 1.4305 / AISI 303			
Best.-Nr. Order No.	A	d*e mm	f mm
KB10M8*13NI	10	M8*13	12
KB13M8*16.5NI	13	M8*16.5	13



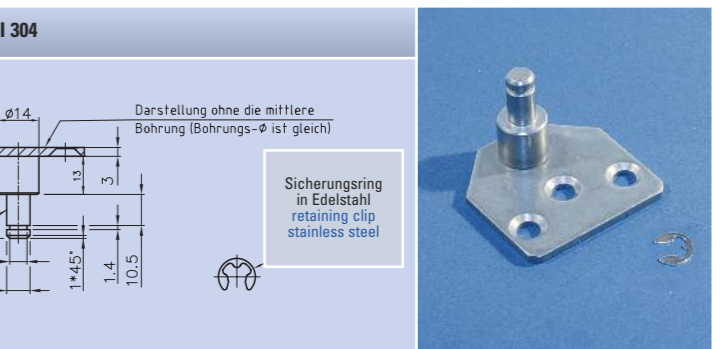
Bolzen für A5 | Bolt for A5

Material 1.4305 / AISI 303		
Code	Best.-Nr. Order No.	Maße gemäß Zeichnung / measures see drawing
M5	B0M5NI	

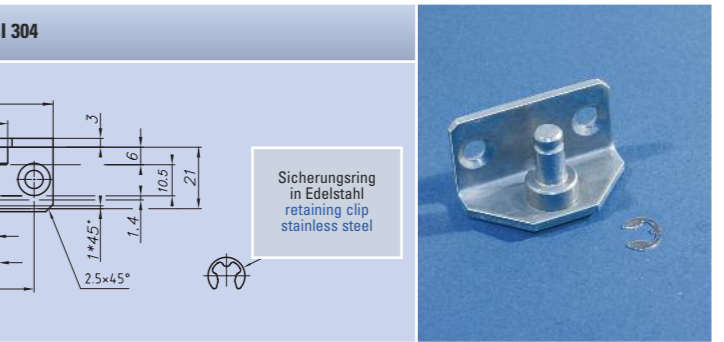


Beschläge | Brackets

Code	Material 1.4301 / AISI 304
900BA1NISR	



Code	Material 1.4301 / AISI 304
900BA2NISR	



Code	Material 1.4301 / AISI 304
900BA6NIBO	



Anschlussteile Connecting parts



Gelenkaugen
Hinge eyes



Winkelgelenke
Elbow joints



Gabelköpfe
Clevises



Gelenkköpfe
Hinge heads



Beschläge
Brackets



Sonderausführungen
Special connecting parts

Die sinnvolle Vielfalt der easylift Anschlußteile kennt nur einen Maßstab – Ihre tägliche Praxis!

The reasonable variety of the easylift connecting parts knows only one measure... your daily experience.

Zur gezielten und gesteuerten Kraftentfaltung gehören auch Anschlußteile, die Bewegung und Kraftübertragung in idealer Weise – und lange Zeit – gewährleisten. Das umfangreiche easylift-Angebot an Gelenkaugen, Gabelköpfen, Winkelgelenken, Gelenkschrauben und Beschlägen, wird nahezu jedem praktischen Montageanspruch gerecht.

For a detailed and controlled force development, you will also need connecting parts which guarantee movement and force transfer in an ideal way. The comprehensive easylift range of hinge eyes, clevises, elbow joints, ball joints and metal fittings will fit nearly every mounting requirement.

Selbstverständlich wird auch das praxisbewährte easylift System immer wieder vor neue Aufgaben im Bereich der Anschlußmöglichkeiten gestellt. Sollte die von Ihnen angestrebte Applikation ideal mit easylift Gasfedern zu realisieren sein, dann werden wir auch die Anschlußproblematik lösen.

Regarding connecting parts, there will, of course, be new requirements from time to time for our easylift system. If the prospective application can be solved with easylift gas springs, we will also solve the problems regarding the connecting parts.

Bitte beachten Sie, daß sich die Einbaulänge der Gasfedern durch die Wahl anderer Anschlußteile ändert. Die Einbaulänge der easylift Gasfedern wird gemessen:

- bei Gelenkaugen, Gabel- und Gelenkköpfen von Mitte Bohrung zu Mitte Bohrung
- bei Gelenken von Mitte Kugel zu Mitte Kugel (Kugelpfanne)
- bei Gewinde jeweils ohne die Gewindelänge!

Please note that the length of gas springs will change depending on your choice of different connecting parts. The length of the easylift gas springs is calculated as follows:

- from mid boring to mid boring for hinge eyes, clevises and hinge heads
- from mid ball to mid ball for elbow joints
- without connectors the thread length is not included

Technische Daten und Maße zu den standardisierten Anschlußteilen des Bansbach easylift Systems entnehmen Sie bitte den folgenden Seiten.

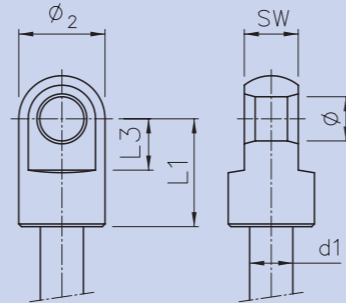
Please see the following pages for technical data and dimensions of the standardized connecting parts of the easylift system.



Anschlusssteile | Connecting parts

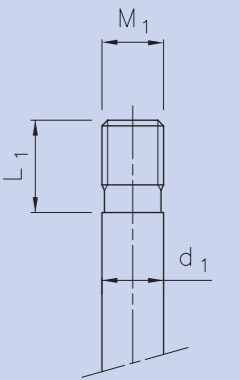
Gelenkaugen Kolbenseite | Hinge eyes piston rod side

Code	SW	Ø	L ₁	L ₃	Ø ₂	d ₁	Gewinde thread	geeignet für: suitable for:		
								Gasdruckfedern Gas springs	Blockierbare Gasfedern Lockable gas springs	Gaszugfedern Gas traction springs
Q1	3,0	4,1	11,0	5,0	7,0	3,0	M3	●		
H1	3,0	4,1	12,0	6,0	8,0	4,0	M4	●		
D1	3,0	6,2	16,0	9,0	11,0	6,0	M5	●		●
F1	6,0	6,2	16,0	9,0	10,0	6,0	M5	●		●
E1	3,0	8,2	16,0	9,0	11,0	6,0	M5	●		●
D2	5,0	6,2	23,0	11,5	16,0	8,0 - 10,0	M8	●		●
E2	5,0	8,2	23,0	12,5	16,0	8,0 - 10,0	M8	●		●
E2/KL	5,0	8,2	23,0	11,5	19,0	8,0 - 10,0	Ø8	●		●
A1	10,0	8,2	20,0	20,0	16,0	8,0 - 10,0	M8	●		●
H2	10,0	6,2	20,0	20,0	16,0	8,0 - 10,0	M8	●		●
M2	10,0	10,2	20,0	20,0	16,0	8,0 - 10,0	M8	●		●
J2	8,0	8,2	20,0	10,0	16,0	8,0 - 10,0	M8	●		●
K2	12,0	8,2	20,0	10,0	16,0	8,0 - 10,0	M5, M8	●		●
W2	8,0	8,2	27,0	12,0	16,0	8,0 - 10,0	M8	●		●
G2	8,0	6,2	20,0	10,0	16,0	8,0 - 10,0	M8	●		●
A2	18,0	8,2	25,0	25,0	18,0	8,0 - 14,0	M8, M10	●		●
B2	18,0	10,2	25,0	25,0	18,0	8,0 - 14,0	M8, M10	●		●
X3	14,0	8,2	20,0	20,0	19,0	8,0 - 14,0	M8, M10	●		●
B1	12,0	8,2	25,0	12,0	19,0	10,0 - 14,0	M8, M10	●		●
L2	12,0	10,2	25,0	12,0	19,0	10,0 - 14,0	M8, M10	●		●
N2	10,0	8,2	30,0	16,0	19,0	12,0 - 14,0	M10	●		●
Z2	12,0	12,2	25,0	11,0	19,0	12,0 - 14,0	M8, M10	●		●
Z1	10,0	8,5	30,0	16,0	19,0	12,0 - 14,0	M10	●		●
M2	10,0	10,2	30,0	16,0	19,0	10,0 - 14,0	M10	●		●
Q2	10,0	10,5	30,0	16,0	19,0	12,0 - 14,0	M10	●		●
C1	14,0	14,2	40,0	20,0	20,0	20,0	M14	●		●



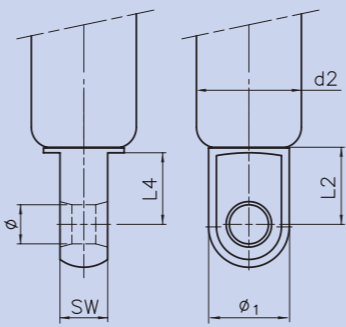
Gewinde Kolbenstange | Threads on piston rod side

Code	M ₁	L ₁	d ₁	geeignet für: suitable for:		
				Gasdruckfedern Gas springs	Blockierbare Gasfedern Lockable gas springs	Gaszugfedern Gas traction springs
Q0	M3	4,0	3,0	●		
U0	M4	4,0	4,0	●		
V0	M5	5,0	6,0	●		
B0	M8	9,0	8,0	●		●
H0	M8	9,0	10,0	●		
D0	M10	9,0	10,0 - 16,0	●		●
R0	M6	10,0	8,0	●		
A0	M6	8,0	8,0	●		
J0	M8	12,0	8,0 - 10,0	●		
P0	M8	15,0	8,0 - 10,0	●		
C0	M8	20,0	8,0 - 10,0	●		
E0	M10	15,0	10,0 - 14,0	●		
F0	M10	20,0	10,0	●		
G0	M12	12,0	12,0	●		
Y0	M6	6,0	6,0	●		
Z0	MF 14 x 1,5	15,0	20,0	●		●
K0	MF10 x 1	18,0	10,0 - 14,0		●	
O0	MF14 x 1,5	20,0	14,0 - 20,0		●	
W0	MF8 x 1	16,0	8,0		●	
I0	M24 x 2	35,0	30,0	●		



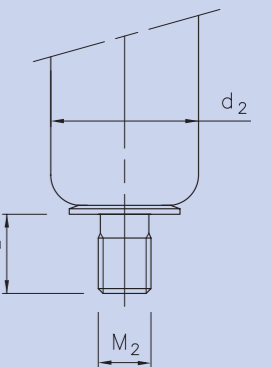
Gelenkaugen Zylinderseite | Hinge eyes cylinder side

Code	SW	Ø	L ₂	L ₄	Ø ₁	d ₂	geeignet für: suitable for:		
							Gasdruckfedern Gas springs	Blockierbare Gasfedern Lockable gas springs	Gaszugfedern* Gas traction springs*
H1	3,0	4,1	8,0	7,0	8,0	12,0	●		
D2	5,0	6,2	16,0	15,0	15,0 - 17,0	19,0 - 22,0	●	●	
E2	5,0	8,2	16,0	15,0	15,0 - 17,0	19,0 - 22,0	●	●	
D1	3,0	6,2	12,0	10,5	11,0	15,0	●		
E1	3,0	8,2	12,0	10,5	11,0	15,0	●		
F2	10,0	8,2	9,5	9,5	15,0	19,0	●	●	
F2	10,0	8,2	12,0	11,0	17,0	22,0	●	●	
A1	10,0	8,2	16,0	15,0	15,0 - 17,0	19,0 - 22,0	●	●	●
H2	10,0	6,2	16,0	15,0	15,0 - 17,0	19,0 - 22,0	●	●	
M2	10,0	10,2	16,0	15,0	15,0 - 17,0	19,0 - 22,0	●	●	
G2	8,0	6,2	16,0	15,0	15,0 - 17,0	19,0 - 22,0	●	●	
J2	8,0	8,2	16,0	15,0	15,0 - 17,0	19,0 - 22,0	●	●	●
K2	12,0	8,2	16,0	15,0	17,0	22,0	●	●	
B1	12,0	8,2	13,0	12,0	20,0	28,0	●	●	●
L2	12,0	10,2	13,0	12,0	20,0	28,0	●	●	●
N2	10,0	8,2	13,0	12,0	20,0	28,0	●	●	●
V2	6,0	8,2	13,0	12,0	20,0	28,0	●	●	
Z2	12,0	12,2	13,0	12,0	20,0	28,0	●	●	●
A1	10,0	8,2	16,0	15,0	20,0	28,0	●	●	
Z1	10,0	8,5	16,0	15,0	20,0	28,0	●	●	
M2	10,0	10,2	16,0	15,0	20,0	28,0	●	●	
Q2	10,0	10,5	16,0	15,0	20,0	28,0	●	●	
M3	8,0	10,2	16,0	15,0	16,0	28,0	●	●	
N3	8,0	8,2	16,0	15,0	20,0	28,0	●	●	
K3	12,0	9,2	16,0	15,0	20,0	28,0	●	●	



Gewinde Zylinder | Threads on cylinder side

Code	M ₂	L ₂	d ₂	geeignet für: suitable for:			
				Gasdruckfedern Gas springs	Blockierbare Gasfedern Lockable gas springs	Gaszugfedern Gas traction springs	Gasfedern mit Ventil Gas springs with valve
Q0	M3	4,0	8,0 - 10,0	●			
U0	M4	4,0	12,0	●			
V0	M5	5,0	15,0 - 19,0	●			● (nur only Ø d2 = 15,0)
L0	M8	13,0	19,0 - 28,0	●	●	●	
M0	M10	13,0	22,0 - 40,0	●	●	●	●
A0	M6	8,0/12,0	19,0 / 22,0	●		●	
N0	M8	8,0	19,0 - 28,0	●	●	●	●
S0	M10	6,0	22,0	●			
Y0	M6	6,0	15,0	●			
Z0	MF 14 x 1,5	15,0	40,0	●		●	●
I0	M24 x 2	35,0	70,0	●			



*Gegebenenfalls geeignete Gewindepapen auswählen, sodass jedes gewünschte schraubbare Anschlusssteil verwendet werden kann. *If possible use a suitable thread, so the preferred connection part can be used

Weitere Varianten auf Anfrage • Other variations on request

Technische Änderungen vorbehalten • We reserve the right to make technical changes at any time without prior notice

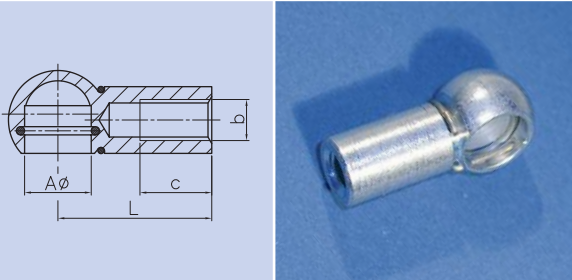
Anschlusssteile | Connecting parts

Kugelpfannen mit Sicherheitsbügel | Ball sockets incl. fastener

Code	Aø	L mm	b*c mm	Material
W5	10	19	M6*9, M8*9	Stahl <i>steel</i>
W6	10	18,5	M8*9	Kunststoff <i>plastic</i>
W7	10	18,5	M5*5	Kunststoff <i>plastic</i>



Code	Aø	L mm	b*c mm	Material
F5	8	18	M4*6	Stahl <i>Steel</i>
J3	8	22	M5*10,2	
W4	10	15	M5*5	
F3	10	19	M8*12	
P3	13	30	M6*14, M8*14	
W3	16	35	M10*15,5	



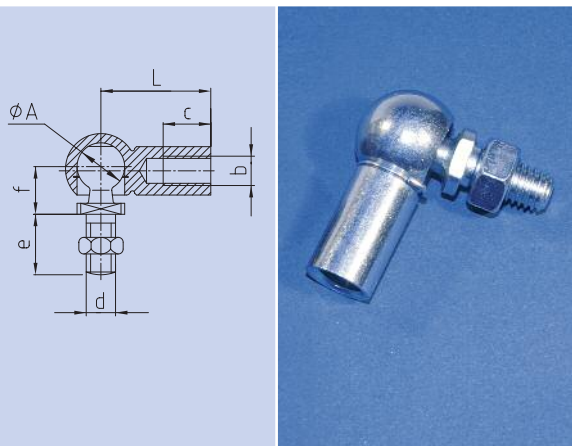
Kugelbolzen | Bolts

Art-Nr. art. no.	Aø	d*e mm	f mm	Material
KB08M4*10.2BL	8	M4*10,2	9	Stahl verzinkt <i>steel, zinc plated</i>
KB08M5*10.2BL	8	M5*10,2	9	
KB08M5*17BL	8	M5*17	9	
KB105/16*25.4BL	10	5/16 - 18UNC-2A*25	12,7	
KB10M8*13BL	10	M8*13	12	
KB10M8*16.5BL	10	M8*16.5	12	
KB10M8*20BL	10	M8*20	12	
KB13M8*16.5BL	13	M8*16.5	13	
KB16M10*20BL	16	M10*20	16	



Winkelgelenke | Elbow joints

Code	Aø	L mm	b*c mm	d*e mm	f mm	Material	Mutter nut
Q3	8	18	M3*6	M3*10,2	9	Stahl verzinkt <i>steel, zinc plated</i>	•
F4	8	18	M4*6	M4*10,2	9		•
B3	8	22	M5*10	M5*10,2	9		•
C3	10	15	M5*6	M8*13	12		•
J4	10	25	M6*11,5	M6*12,5	11		•
D3	10	19	M8*9	M8*13	12		•
A9	10	17	Ø 7*9	M8*13	12		•
Y9	10	19	M6*9 / M8*9	M8*13	12		•
H3	10	19	M8*9	5/16-18UNC-2A	13		•
A3	13	30	M8*14	M8*16,5	13		•
A4	16	35	M10*15,5 / M8 *15,5	M10*20	16	•	
B4*	19	45	M14*1,5*21,5	M14*1,5*28	20	•	



*Achtung: nur für Ausschubkräfte bis max. 3000 N geeignet! *Attention: only suitable for extension forces up to max. 3000 N!

Gabelköpfe mit Federbolzen | Clevises with clip bolts

Code	ø d1 mm	g mm	A mm	b mm	L1 mm	L2 mm	ø d2 mm	Material
N4	4	8	8	4	21	16	M4	Stahl verzinkt <i>steel, zinc plated</i>
G5	5	10	10	5	26	20	M5	
C5	8	16	16	8	42	32	M8	
D9	10	20	20	10	52	40	M10	
L5	14	28	27	14	72	56	M14*1,5	



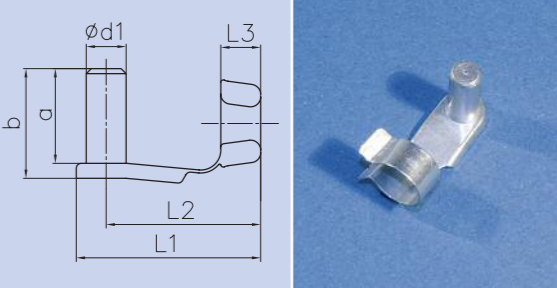
Gabelköpfe ohne Federbolzen | Clevises without clip bolts

Code	ø d1 mm	g mm	A mm	b mm	L1 mm	L2 mm	ø d2 mm	Material
Q5	4	8	8	4	21	16	M3	Stahl verzinkt <i>steel, zinc plated</i>
M4	4	8	8	4	21	16	M4	
E5	5	10	10	5	26	20	M5	
A5	8	16	16	8	42	32	M8	
B9	10	20	20	10	52	40	M10	
H5	14	28	27	14	72	56	M14*1,5	
M5	25	50	50	25	132	100	M24*2	



Federklappbolzen | Clip bolt

Code	ø d1 mm	g mm	a mm	b mm	L1 mm	L2 mm	L3 mm	Material
P4	4	8	9,5	11	19	15	4,5	Stahl verzinkt <i>steel, zinc plated</i>
F5	5	10	12	13,5	23	19	5,5	
B5	8	16	19	21,5	37	30	8	
C9	10	20	23	26	45	38	10	
J5	14	28	31	34	62	52	14	



Gelenkköpfe | Hinge heads

Code	a	b1 mm	d1 mm	d2 mm	d3	d6 mm	h mm	L mm	L3 mm	Material
A7	8°	8	8	13	M8	23	36	16	12	Stahl verzinkt <i>steel, zinc plated</i>
A8	6°	9	10	16	M10	28	43	20	13	
C4	6,5°	6	6	10	M6	20	30	12	11	
C8	7,5°	19	14	20	M14*1,5	36	57	25	19	
M8	15°	31	25	42	M24*2	60	94	42	30	



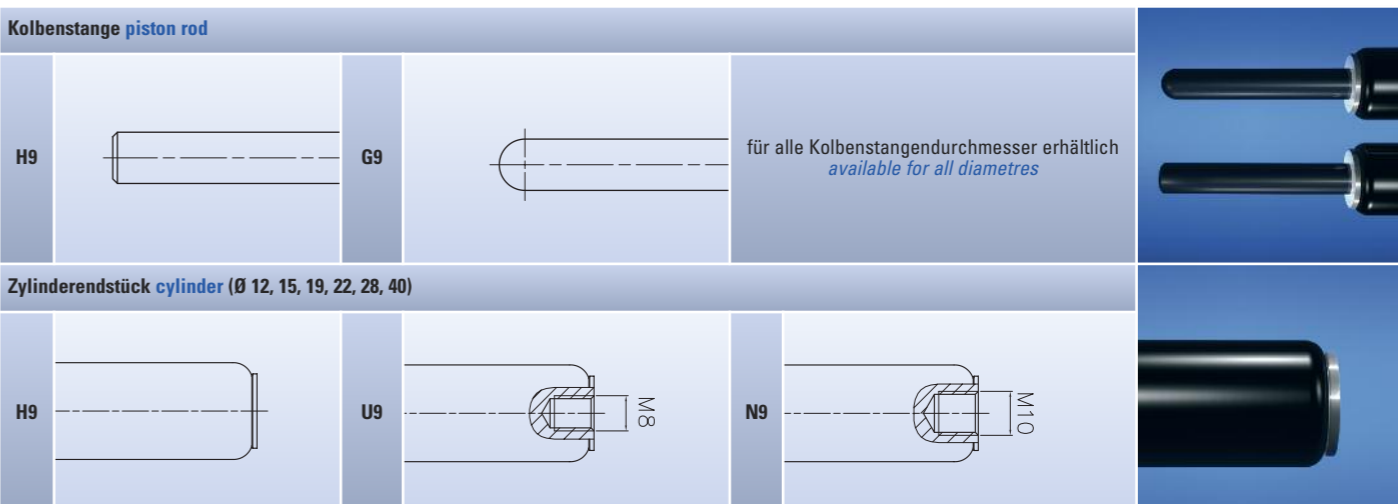
Gelenkschrauben | Ball joints

Code	a mm	b mm	c	d mm	e	f	g mm	h	Material
A6	12,5	20	M8	35	M8	30°	ø 10	SW17	Stahl verzinkt <i>steel zinc plated</i>
B6	12,5	20	M8	22	M8	30°	ø 10	SW17	



Sonderausführungen Beispiele | Examples of special connecting parts

Kolbenstange piston rod	
H9	G9
für alle Kolbenstangendurchmesser erhältlich <i>available for all diametres</i>	
Zylinderendstück cylinder (Ø 12, 15, 19, 22, 28, 40)	
H9	U9 M8
	N9 M10



Technische Änderungen vorbehalten • We reserve the right to make technical changes at any time without prior notice

Beschläge | Brackets

900 BA1 SB

Platte

Bolzen

Darstellung ohne die mittlere Bohrung (Bohrungs- ϕ ist gleich)

Schnellbefestiger Quick fastener

900 BA2 SB

Platte

Bolzen

Schnellbefestiger Quick fastener

900 BA5 SB

Material-Platte: DD11

Material-Bolzen: 11SMn30+C

Schnellbefestiger Quick fastener

900 BA3

geeignet für Kugelpfannen mit A_0 10mm
Suitable for ball sockets with A_0 10mm

Platte

Bolzen (Kugel ϕ 10)

Fläche ϕ 2

900 BA4

geeignet für Kugelpfannen mit A_0 10mm
Suitable for ball sockets with A_0 10mm

Platte

Fläche ϕ 2

Bolzen (Kugel ϕ 10)

900BA6B0

Federstahl-Sicherung

900 BA12SR

Sicherungsring retaining ring

900 BA14SR

Sicherungsring retaining ring

900 BA20SR

Sicherungsring retaining ring

900 BA21SR

Sicherungsring retaining ring

Nachfüllkoffer für Gasfedern mit Ventil | Filling case for gas springs with valve

Artikel-Nr. Art.-No.
NACHFUELLKOFFER-001 (analog)
NACHFUELLKOFFER-002 (digital)

- 1 Flaschendruckminderer, Anschlussgewinde W24,32 x 1/14 RH
- 1 Dreiwegekugelhahn Anschlussgewinde 1/4"
- Füllglocke(n) gemäß Ihres Auftrags (eine inklusive)
- Ablassschraube(n) passend zu den Füllglocken
- 1 Hochdruckschlauchverbindung 1000 mm Länge

- 1 bottle pressure diminisher, connecting thread W24,32 x 1/14 RH
- 1 three-way diverter ball valve, connecting thread 1/4"
- Filling adapter(s) according to your order (one included)
- Depressurizing screws suitable for the containing filling adapters
- 1 high-pressure-tube connector 1000 mm length

Verfügbare Ablassschrauben für Gasfedern mit Ventil | Available release screws for gas springs with valve

Artikel-Nr. Art.-No.	für Gewinde for thread	Zylinder Cylinder Ømm
XXAS15MV0	M5 x 5	15
XXAS19MN0	M8 x 8	19 & 22
XXAS22MM0	M10 x 13	22
XXAS28MN0	M8 x 8	28
XXAS28MM0	M10 x 13	28
XXAS40MM0	M10 x 13	40
XXAS40MZ0	M14 x 1.5 x 15	40